

GLO-QUARTZ® INFRARED QUARTZ HEATER PANELS

Manufacturer of Industrial Electric Heaters Since 1952 and Proudly Made in the USA

Glo-Quartz® infrared radiant heaters respond quickly providing an efficient source of radiant energy. With heat-up capabilities of 45 to 50 seconds and complete cool down in approximately 15 seconds, this is an ideal heating device for use in applications where frequent line stoppage is expected or immediate heat-up and cool down is essential. Infrared quartz heaters are designed for horizontal use only. For a longer operating life and more efficient heating, quartz heating applications should be rated around 35 to 45 watts per linear inch.

**Features**

- Operating temperature up to 1600°F (870°C)
- Sheath watt densities up to 60 watts per linear inch
- Medium Wave / Medium Intensity
- Infrared wavelength of 2.5 to 4.0 microns, energy peak at full voltage
- Bonded ceramic caps at quartz tube end provide a rigid support for terminations.

Typical Applications

- Thermoforming
- Shrink packaging.
- Vulcanizing and curing rubber
- Laminating
- Sealing
- Electrostatic copy equipment
- Fusing processes
- Sterilizing
- Space heaters
- Drying processes

Standard Panel Sizes

Single and Dual Element Panels

4 Inch Wide Radiant Panels

12 Inch Wide Radiant Panels

18 Inch Wide Radiant Panels

30 Inch Wide Radiant Panels

Custom Built Sizes Available

Glo-Quartz® is a family-owned business that has been manufacturing Industrial Heating Equipment since 1952. We specialize in custom and replacement heaters with short lead times and competitive pricing. We strive to provide excellent customer service and a superior product.



GLO-QUARTZ® INFRARED QUARTZ HEATER PANELS

Single Element Heater Panel Assemblies

DESCRIPTION OF HEATERS	KW	OVER ALL LENGTH	HEATED LENGTH	120V	240V	480V	REPLACEMENT ELEMENT
ALUMINUM EXTRUSION PANEL 1 ELEMENT SINGLE PHASE	0.5	13.625	7.25	AE-135A			EN-5A9-T
	0.6	20	13.625	AE-206A			EN-6A15-T
	0.8	24.375	16.875	AE-248A			EN-8A18-T
	1.1	30.625	22.875		AE-3011DD		EN-11DD24-T
	1.3	35.875	27.875		AE-3513DD		EN-13DD29-T
	1.8	46.625	38.625		AE-4618DD		EN-18DD40-T
	2.5	61.375	53.25			AE-6125II	EN-25II55-T
	3	73.75	65			AE-723II	EN-3II67-T
3.6	85.5	77			AE-8536II	EN-36II79-T	

Dual Element Heater Panel Assemblies

DESCRIPTION OF HEATERS	KW	OVER ALL LENGTH	HEATED LENGTH	120V	240V	480V	REPLACEMENT ELEMENT
ALUMINUM EXTRUSION PANEL 2 ELEMENTS SINGLE PHASE	1	13.625	7.25	AE-131A			EN-1A9-T
	1.2	20	13.625	AE-2012A			EN-12A15-T
	1.6	24.375	16.875	AE-2416A			EN-16A18-T
	2.2	30.625	22.875		AE-3022DD		EN-22DD24-T
	2.6	35.875	27.875		AE-3526DD		EN-26DD29-T
	3.6	46.625	38.625		AE-4636DD		EN-36DD40-T
	5	61.375	53.25			AE-615II	EN-5II55-T
	6	73.75	65			AE-726II	EN-6II67-T
	7.2	85.5	77			AE-8572II	EN-72II79-T

RP4 Four Inch Heater Panel Assemblies

DESCRIPTION OF HEATERS	KW	VOLTS	PHASE	OVER ALL LENGTH	HEATED LENGTH	QUARTZ DIAMETER (IN)	P/N	REPLACEMENT ELEMENT
4" WIDE RADIANT PANEL GALVANIZED STEEL BODY 1 ELEMENT	0.5	120	1	24	20	1/2	RP4-24-5A-5	E225A-F5
	1	120	1	24	20	5/8	RP4-24-1A-6	E221A-F6
	1	120	1	36	32	1/2	RP4-36-1A-5	E341A-F5
	2	120	1	36	32	5/8	RP4-36-2A-6	E342A-F6
	1.5	240	1	48	44	1/2	RP4-48-15DD-5	E4615DD-F5
	2.5	240	1	48	44	5/8	RP4-48-25DD-6	E4625DD-F6
	2	240	1	60	56	1/2	RP4-60-2DD-5	E582DD-F5
	3.5	240	1	60	56	5/8	RP4-60-35DD-6	E5835DD-F6
	2.5	240	1	72	68	1/2	RP4-72-25DD-5	E7025DD-F5
	4	240	1	72	68	5/8	RP4-72-4DD-6	E704DD-F6

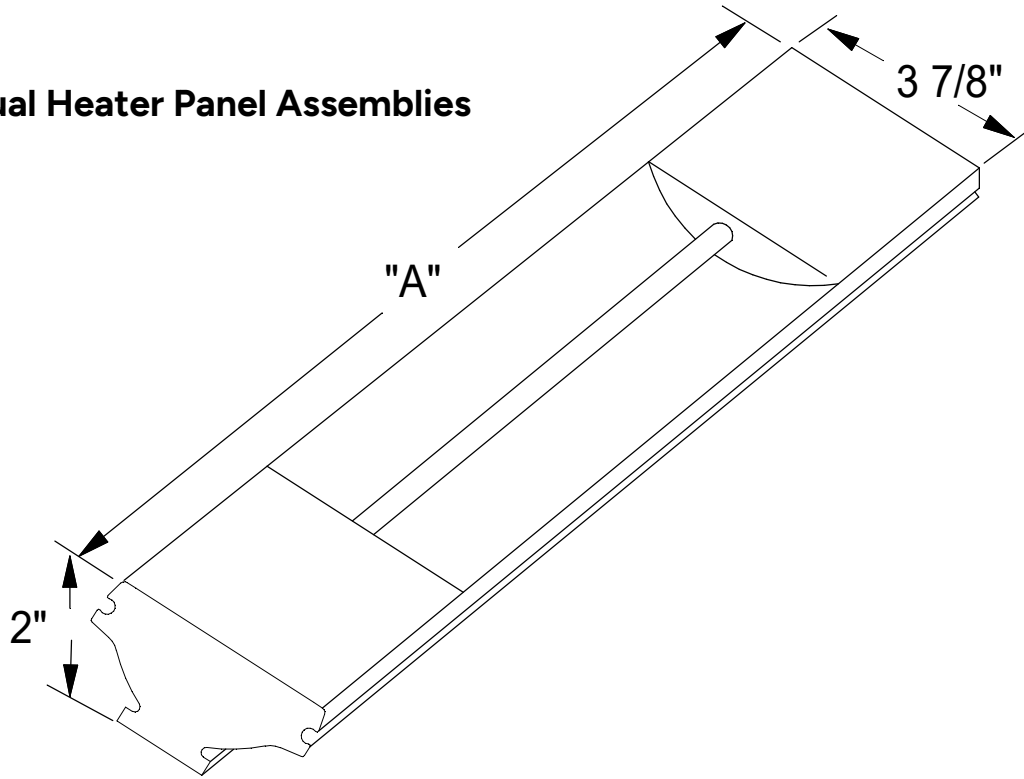
ALTERNATE VOLTAGE CODES,
REPLACE BLUE LETTERS IN
THE P/N WITH CODES BELOW

A=120/1	HH=415/3
B=208/1	I=440/1
C=208/3	J=440/3
D=220/1	Q=460/1
E=220/3	QQ=460/3
BB=230/1	II=480/1
CC=230/3	JJ=480/3
DD=240/1	K=550/1
EE=240/3	L=550/3
F=277/1	KK=575/1
G=380/1	LL=575/3
H=380/3	M=600/1
GG=415/1	N=600/3

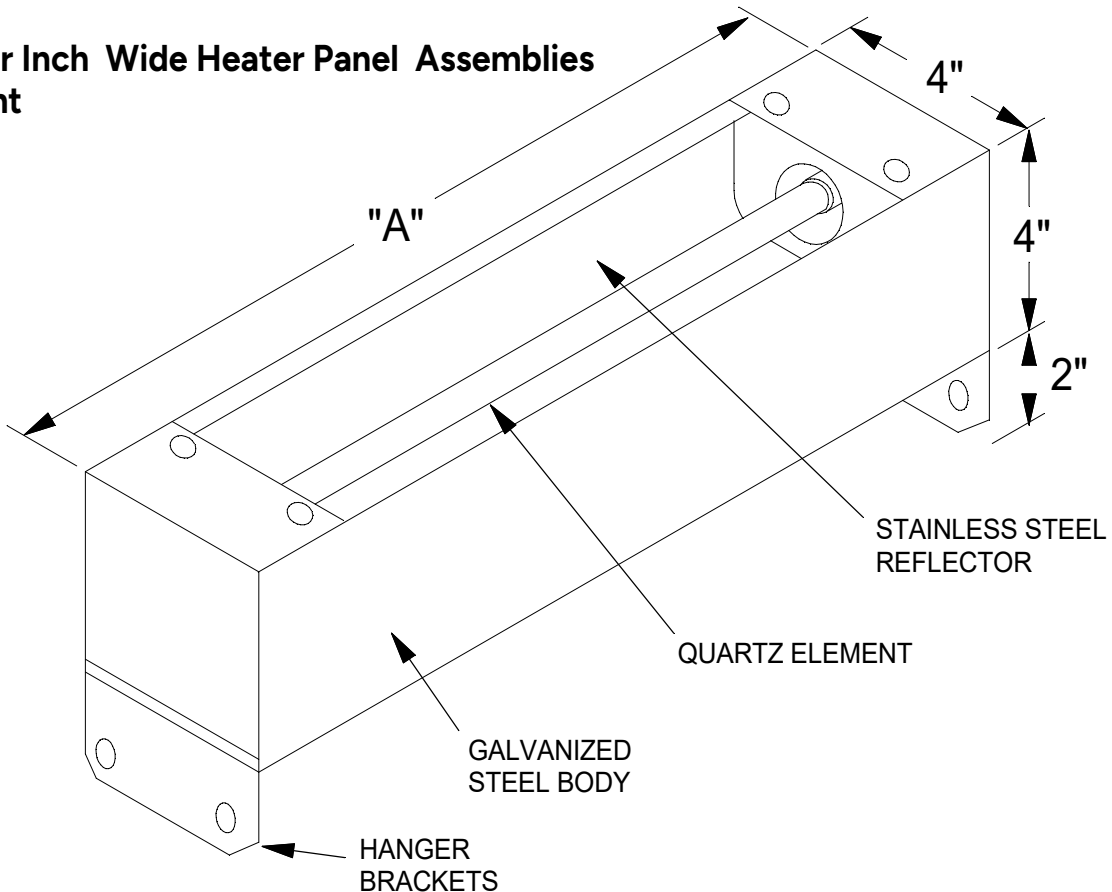


GLO-QUARTZ® INFRARED QUARTZ HEATER PANELS

AE Series
Single and Dual Heater Panel Assemblies
One Element



RP Series Four Inch Wide Heater Panel Assemblies
Single Element





GLO-QUARTZ® INFRARED QUARTZ HEATER PANELS

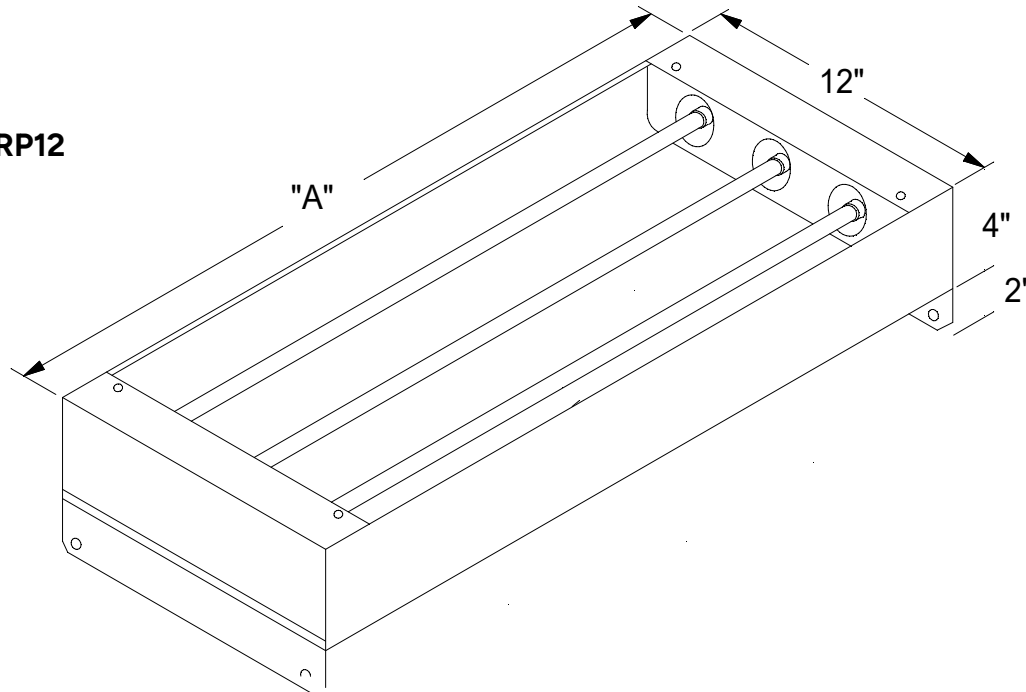
RP12 Twelve Inch Heater Panel Assemblies

DESCRIPTION OF HEATERS	KW	"A" OVER ALL LENGTH	HEATED LENGTH	QUARTZ DIAMETER (IN)	PHASE	240V		480V	
						240V	REPLACEMENT ELEMENT	480V	REPLACEMENT ELEMENT
12" WIDE RADIANT PANEL GALVANIZED STEEL BODY 3 ELEMENTS	1.5	24	20	1/2	1	RP12-24-15DD-5	E2215DD-F5	RP12-24-15II-5	E2215II-F5
	3	24	20	5/8	1	RP12-24-3DD-6	E223DD-F6	RP12-24-3II-6	E223II-F6
	3	36	32	1/2	1	RP12-36-3DD-5	E343DD-F5	RP12-36-3II-5	E343II-F5
	6	36	32	5/8	1	RP12-36-6DD-6	E346DD-F6	RP12-36-6II-6	E346II-F6
	4.5	48	44	1/2	1	RP12-48-45DD-5	E4645DD-F5	RP12-48-45II-5	E4645II-F5
	7.5	48	44	5/8	3	RP12-48-75EE-6	E4675DD-F6	RP12-48-75JJ-6	E4675II-F6
	6	60	56	1/2	1	RP12-60-6DD-5	E586DD-F5	RP12-60-6II-5	E586II-F5
	9	60	56	5/8	3	RP12-60-9EE-6	E589DD-F6	RP12-60-9JJ-6	E589II-F6
	7.5	72	68	1/2	3	RP12-72-75EE-5	E7075DD-F5	RP12-72-75JJ-5	E7075II-F5
	12	72	68	5/8	3	RP12-72-12EE-6	E7012DD-F6	RP12-72-12JJ-6	E7012II-F6

ALTERNATE VOLTAGE CODES, REPLACE BLUE LETTERS IN THE P/N WITH CODES BELOW

A=120/1	HH=415/3
B=208/1	I=440/1
C=208/3	J=440/3
D=220/1	Q=460/1
E=220/3	QQ=460/3
BB=230/1	II=480/1
CC=230/3	JJ=480/3
DD=240/1	K=550/1
EE=240/3	L=550/3
F=277/1	KK=575/1
G=380/1	LL=575/3
H=380/3	M=600/1
GG=415/1	N=600/3

3 Element RP12





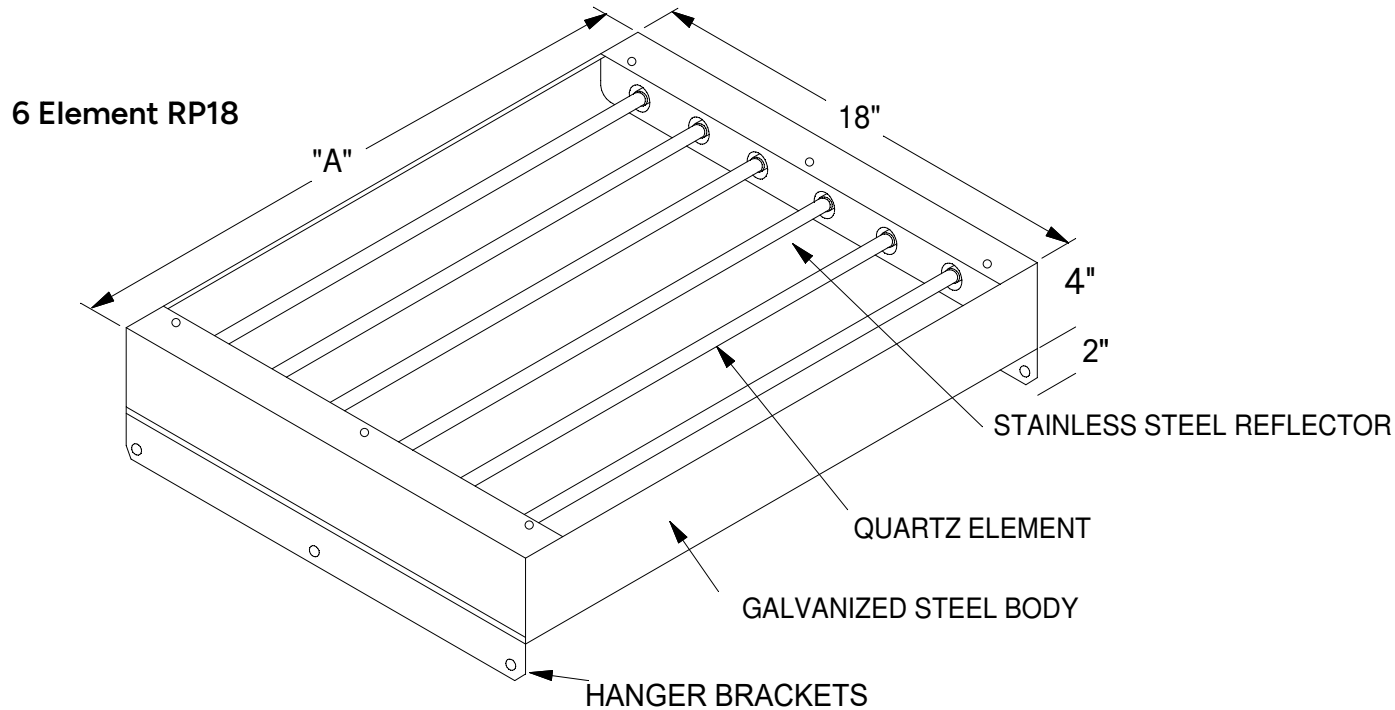
GLO-QUARTZ® INFRARED QUARTZ HEATER PANELS

RP18 Eighteen Inch Heater Panel Assemblies

DESCRIPTION OF HEATERS	KW	OVER ALL LENGTH	HEATED LENGTH	QUARTZ DIAMETER (IN)	PHASE	240V		480V	
						240V	REPLACEMENT ELEMENT	480V	REPLACEMENT ELEMENT
18" WIDE RADIANT PANEL GALVANIZED STEEL BODY 6 ELEMENTS	3	24	20	1/2	1	RP18-24-3DD-5	E223DD-F5	RP18-24-3II-5	E223II-F5
	6	24	20	5/8	1	RP18-24-6DD-6	E226DD-F6	RP18-24-6II-6	E226II-F6
	6	36	32	1/2	1	RP18-36-6DD-5	E346DD-F5	RP18-36-6II-5	E346II-F5
	12	36	32	5/8	3	RP18-36-12EE-6	E3412DD-F6	RP18-36-12JJ-6	E3412II-F6
	9	48	44	1/2	3	RP18-48-9EE-5	E469DD-F5	RP18-48-9JJ-5	E469II-F5
	15	48	44	5/8	3	RP18-48-15EE-6	E4615DD-F6	RP18-48-15JJ-6	E4615II-F6
	12	60	56	1/2	3	RP18-60-12EE-5	E5812DD-F5	RP18-60-12JJ-5	E5812II-F5
	18	60	56	5/8	3	RP18-60-18EE-6	E5818DD-F6	RP18-60-18JJ-6	E5818II-F6
	15	72	68	1/2	3	RP18-72-15EE-5	E7015DD-F5	RP18-72-15JJ-5	E7015II-F5
	24	72	68	5/8	3	RP18-72-24EE-6	E7024DD-F6	RP18-72-24JJ-6	E7024II-F6

ALTERNATE VOLTAGE CODES, REPLACE BLUE LETTERS IN THE P/N WITH CODES BELOW

A=120/1	HH=415/3
B=208/1	I=440/1
C=208/3	J=440/3
D=220/1	Q=460/1
E=220/3	QQ=460/3
BB=230/1	II=480/1
CC=230/3	JJ=480/3
DD=240/1	K=550/1
EE=240/3	L=550/3
F=277/1	KK=575/1
G=380/1	LL=575/3
H=380/3	M=600/1
GG=415/1	N=600/3





GLO-QUARTZ® INFRARED QUARTZ HEATER PANELS

RP30 Thirty Inch Heater Panel Assemblies

DESCRIPTION OF HEATERS	KW	OVER ALL LENGTH	HEATED LENGTH	QUARTZ DIAMETER (IN)	PHASE	240V	240V	480V	480V
							REPLACEMENT ELEMENT		REPLACEMENT ELEMENT
30" WIDE RADIANT PANEL GALVANIZED STEEL BODY 9 ELEMENTS	4.5	24	20	1/2	1	RP30-24-45DD-5	E2245DD-F5	RP30-24-45II-5	E2245II-F5
	9	24	20	5/8	3	RP30-24-9EE-6	E229DD-F6	RP30-24-9JJ-6	E229II-F6
	9	36	32	1/2	3	RP30-36-9EE-5	E349DD-F5	RP30-36-9JJ-5	E349II-F5
	18	36	32	5/8	3	RP30-36-18EE-6	E3418DD-F6	RP30-36-18JJ-6	E3418II-F6
	13.5	48	44	1/2	3	RP30-48-135EE-5	E46135DD-F5	RP30-48-135JJ-5	E46135II-F5
	22.5	48	44	5/8	3	RP30-48-225EE-6	E46225DD-F6	RP30-48-225JJ-6	E46225II-F6
	18	60	56	1/2	3	RP30-60-18EE-5	E5818DD-F5	RP30-60-18JJ-5	E5818II-F5
	31.5	60	56	5/8	3	RP30-60-315EE-6	E58315DD-F6	RP30-60-315JJ-6	E58315II-F6
	22.5	72	68	1/2	3	RP30-72-225EE-5	E70225DD-F5	RP30-72-225JJ-5	E70225II-F5
	36	72	68	5/8	3	RP30-72-36EE-6	E7036DD-F6	RP30-72-36JJ-6	E7036II-F6

ALTERNATE VOLTAGE CODES, REPLACE BLUE LETTERS IN THE P/N WITH CODES BELOW

A=120/1	HH=415/3
B=208/1	I=440/1
C=208/3	J=440/3
D=220/1	Q=460/1
E=220/3	QQ=460/3
BB=230/1	II=480/1
CC=230/3	JJ=480/3
DD=240/1	K=550/1
EE=240/3	L=550/3
F=277/1	KK=575/1
G=380/1	LL=575/3
H=380/3	M=600/1
GG=415/1	N=600/3

