



**SOUTHWEST**  
HEATER & CONTROLS

# Ceramic Band Heaters



**SOUTHWEST**  
HEATER & CONTROLS

10610 CONTROL PLACE  
DALLAS, TEXAS 75238

MAIN: 214-340-7500  
TOLL FREE: 800-687-2220

SALES@SWHC.COM  
SWHC.COM

# CERAMIC BAND HEATERS

## Standard Ceramic Band Heater Specifications:

Our ceramic band heaters are computer designed and manufactured to your specifications. Only the highest quality materials are used for optimal performance. **Manufactured in the USA.**

### Construction Materials

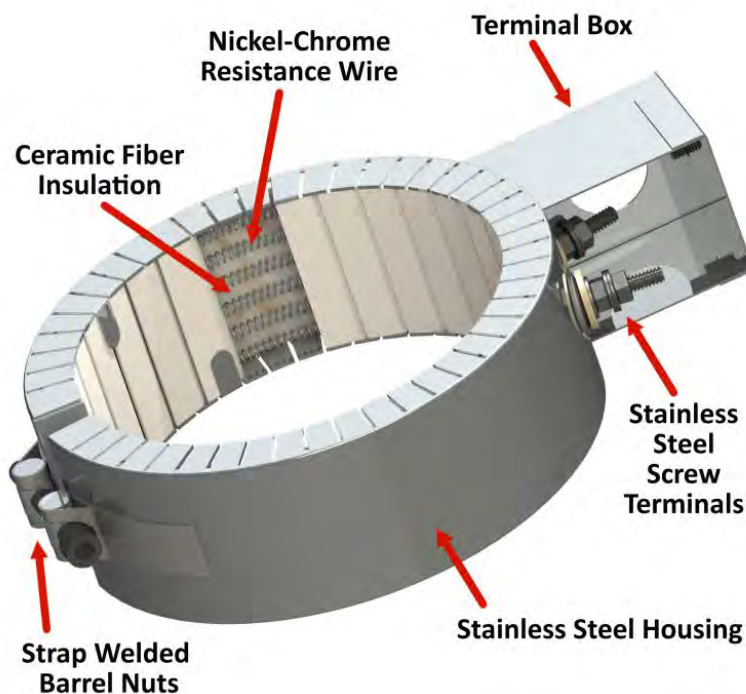
- High temperature oxidation resistant stainless steel sheath.
- Ceramic fiber thermal insulation keeps outer sheath cool and maximizes energy efficiency.
- Clamps are attached directly to the outer sheath providing maximum clamping force.
- Nickel/Chromium resistance wire evenly wound for uniform heat distribution and reliable accuracy.
- High impact, high temperature ceramic "knuckles" encase the resistance wire for electrical protection and maximum heat transfer.

### Physical Characteristics

- Maximum Operating Temperature 1400°F
- Maximum Voltage 480 Volts
- Maximum Amps 25 Amps
- Wattage Tolerance +5%, -10%
- Maximum Recommended Watt Density 45 Watts Per Square Inch
- Minimum Diameter 3 inches
- Width Range 1"-12" in 1/2" increments

### Heater Thickness

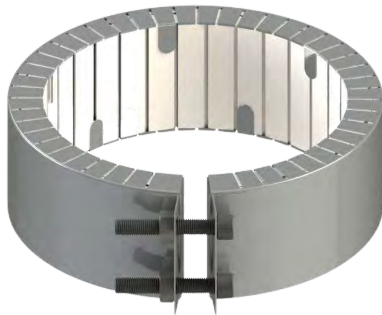
	Nominal Thickness	Insulation Thickness
• Heater Type	7/16" Ultra Thin	3/16" Ultra Thin
• Standard	5/8" Standard	1/4" Standard
• Insulation Max	15/16" Max	1/2" Max



# CERAMIC BAND HEATER CONFIGURATIONS

Southwest Heater and Controls offers a wide variety of custom options to design a ceramic band heater to your specifications. Common custom options include size, power connection types, clamping and closure types, electrical requirements, and more. Minimum order quantity for custom heaters is 1 piece.

## Standard Style Configurations



**Single Piece**



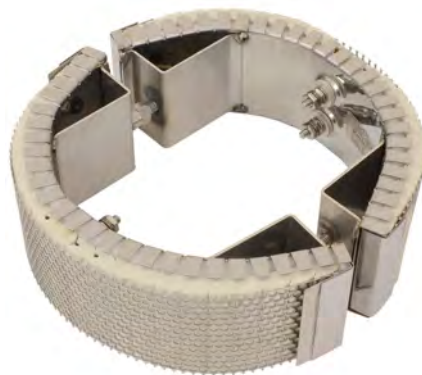
**Air Cooled**



**Two Piece**



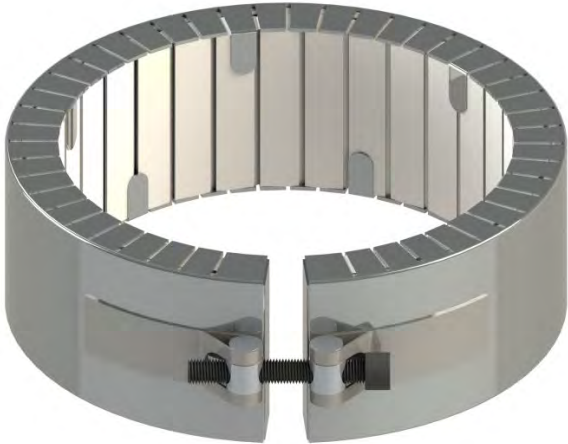
**Partial Coverage**



**Two Piece ID Heat**

# CERAMIC BAND HEATERS

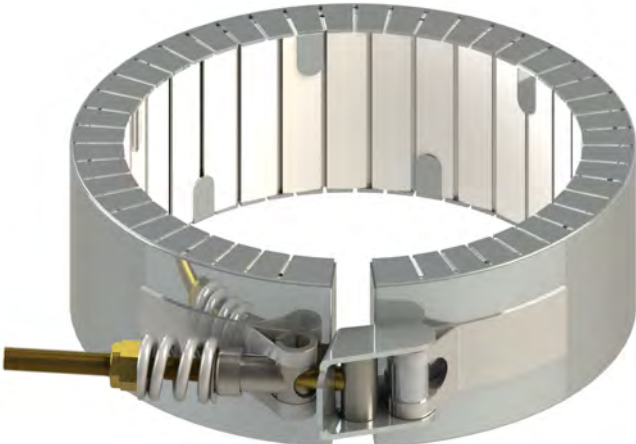
## Standard Clamping Options



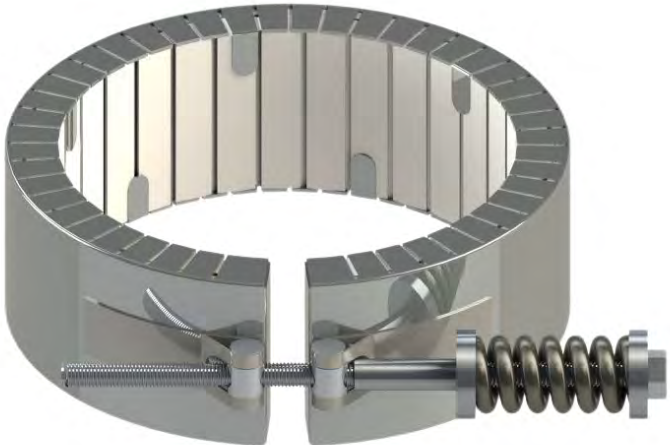
Built in Strap with Barrel Nut Clamp



Lock Up Flange Clamp



Latch and Trunion Clamp

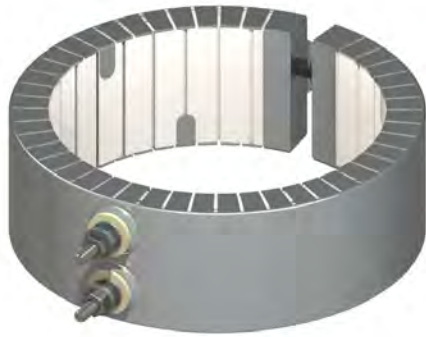


Spring Loaded Clamp

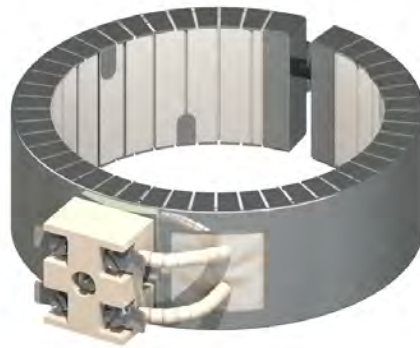


# CERAMIC BAND HEATERS

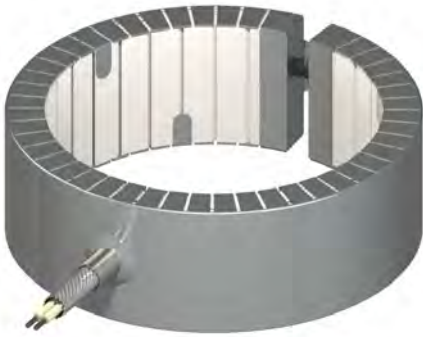
## Standard Termination Options



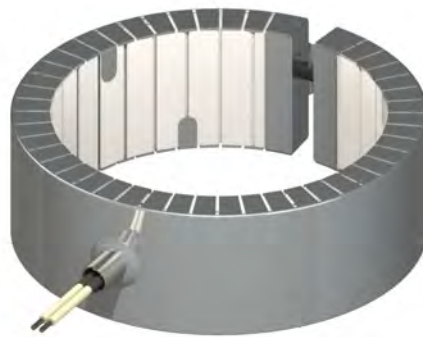
Post Terminals



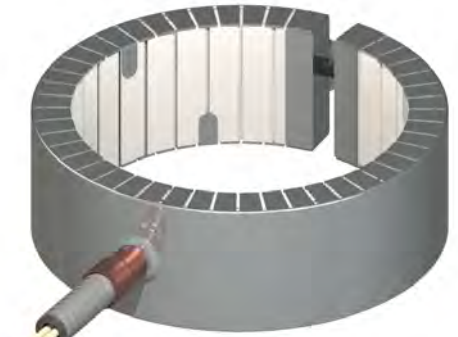
Terminal Block



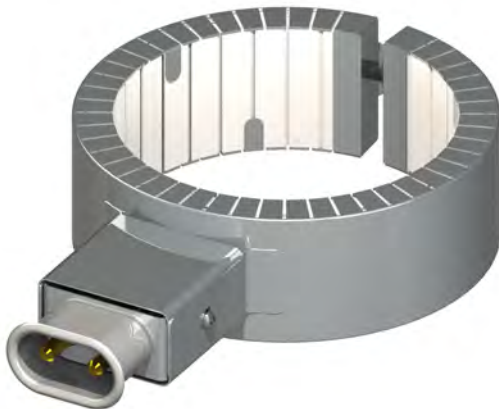
Fiberglass Inside  
SS Braid



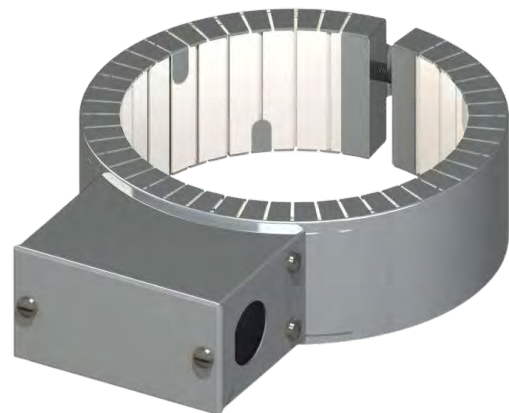
Fiberglass with  
Spring Relief



Fiberglass Inside  
Flex Armor



Euro Plug  
In Box



Post Terminals  
In T Box

# CERAMIC BAND HEATERS

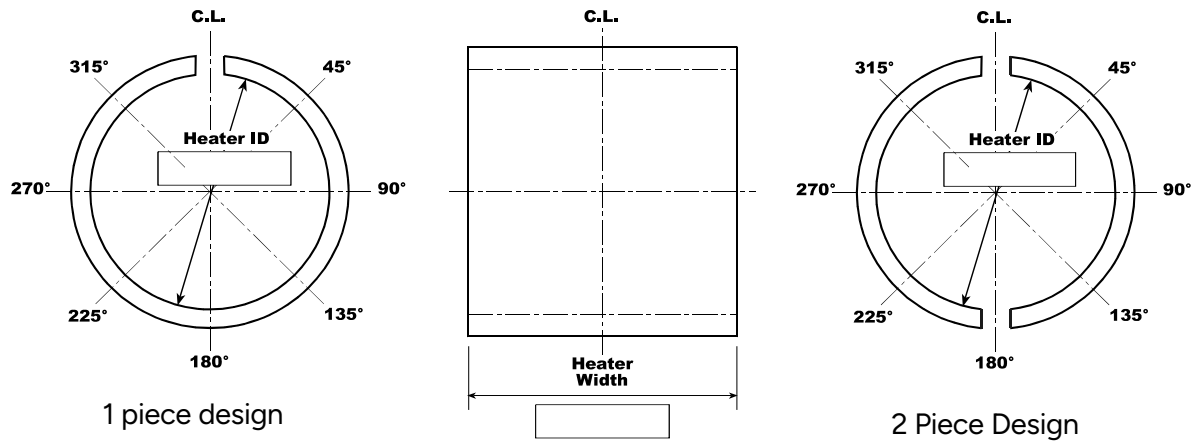
## Ordering Guide for Ceramic Heater Bands

### Ordering Specifications

- Configuration style
- Inner diameter and band width.
- Volts and watts
- Clamping option
- Termination option
- Terminal box required yes or no.
- Specify cut-out notches, holes and locations.
- Standard Gap or custom Gap width
- Insulation Thickness



### Dimensions



### From Standard to Custom Design



## Other Heater and Control Products

**CARTRIDGE HEATERS**



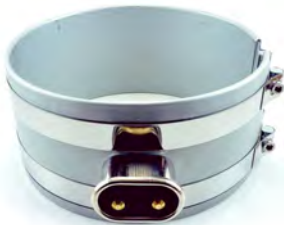
**ALUMINUM HEATERS**



**MICA STRIP HEATERS**



**MICA BAND HEATERS**



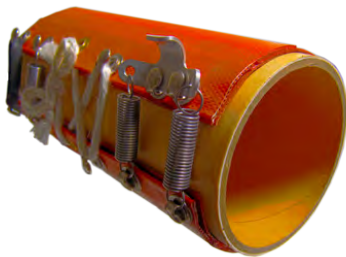
**COIL HEATERS**



**CERAMIC STRIP HEATERS**



**SILICONE RUBBER HEATERS**



**AIR HEATERS**



**THERMOCOUPLES**



**TEMPERATURE CONTROLLERS**



**POWER RELAYS**



**FLEXIBLE TUBULAR HEATERS**

