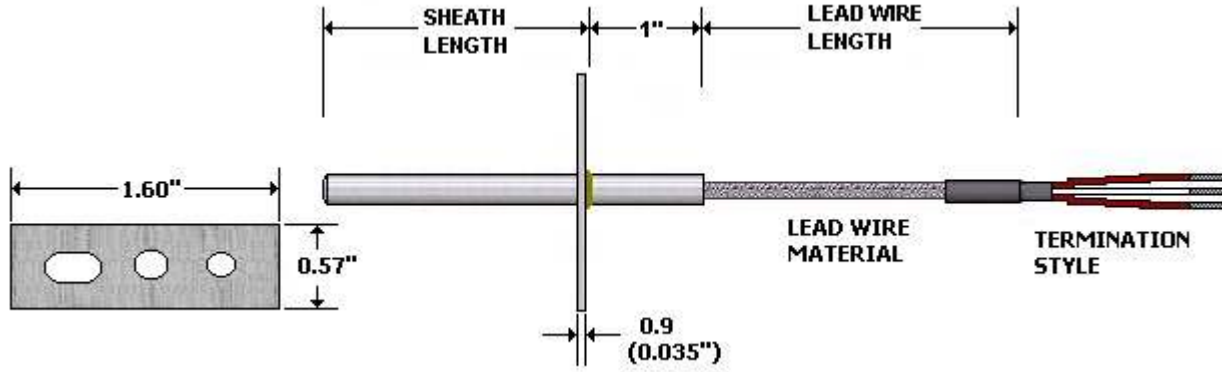


Style RB7

Rectangular Mounting flange RTD



Ordering Information Part Number

① RB7	② Element Type	③ Element Accuracy	④ Wire Configuration	⑤ Mounting Flange	⑥ Sheath Diameter	⑦ Insertion Length (In.)	⑧ Insertion Length (Fractional In.)	⑨ Lead Wire Material	⑩ Lead wire Length (In.)	⑪ Termination Style	⑫ Special Features
RB7											

Optional

② Element type	
T	100 Ω DIN 00385 (thin film)
U	500 Ω DIN 00385 (thin film)
W	1000 Ω DIN 00385 (thin film)
X	120 Ω Nickel DIN 00672 (thin film)
Y	100 Ω DIN 003916 (wire wound)
Z	500 Ω DIN 003916 (wire wound)
Q	10 Ω copper (thin film)

⑦ Insertion Length (whole in.)	
001"-060"	Specify in Inches

⑩ Lead wire length (whole in.)	
006"-999"	Specify in Inches
Note	Over 600" contact factory

⑧ Insertion Length (fractional in.)	
A	0
B	1/8"
C	1/4"
D	3/8"
E	1/2"
F	5/8"
G	3/4"
H	7/8"

⑪ Termination style	
A	2" stripped leads (bare ends) (standard)
B	2" stripped leads w/ #8 spade lugs
C	Standard male 2 pin plug (400°F)
D	Standard male 3 pin plug (400°F)
F	Standard 2 pin female jack (400°F)
G	Standard 3 pin female jack (400°F)
H	Miniature male 2 pin plug (400°F)
P	Miniature male 3 pin plug (400°F)
J	Miniature female 2 pin jack (400°F)
K	Miniature female 3 pin jack (400°F)
W	2" stripped leads w/ pin terminals
Q	2" stripped leads w/ wire ferrules
X	Extra long lead wire length (beyond 2" stripped leads) (specify extra long lead wire length below)
006"-240"	006"-240" Specify in Inches

③ Element Accuracy (0 °C)	
A	Class A (0.06%)
B	Class B (0.12%)

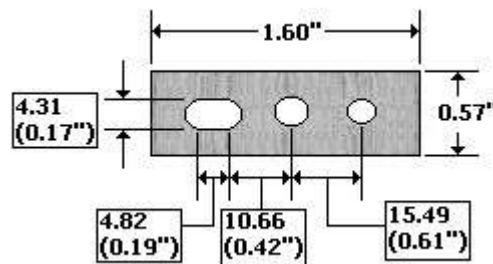
⑨ Lead wire material RTD	
A	Fiberglass (800°F)
B	Fluoropolymer (400°F)
C	Fiberglass with stainless steel braid (800°F)
D	Fluoropolymer with stainless steel braid (400°F)
E	Fiberglass with armor cable (800°F)
F	Fluoropolymer with armor cable (400°F)
G	Fiberglass with stainless steel braid (800°F) w/ armor cable
H	Fluoropolymer with stainless steel braid (400°F) w/ armor cable

④ Wire Configuration	
2	2-wire
3	3-wire
4	4-wire
5	2-wire (Dual)
6	3-wire (Dual)

⑤ Mounting Flange	
Z	1.60" long x 0.57" wide

⑥ Sheath Diameter	
L	.188" (4.6mm) (3/16")
S	.196" (5mm)
Note	For reference only (standard tolerances apply)
Note	For other diameters consult factory

• Similar to OEM part# RTD-870



Optional

⑫ Special features (Optional) RTDS	
Note	Leave blank for no special features
02	1.5" long strain relief spring
03	1.5" long heat shrink where wire exits the probe
04	Flat tip probe
05	Drill point tip
06	Epoxy seal (500°F)
07	Cable clamp
08	Bx Connector
09	Mating connector
18	Moisture protection boot on connector

SOUTHWEST HEATER AND CONTROLS