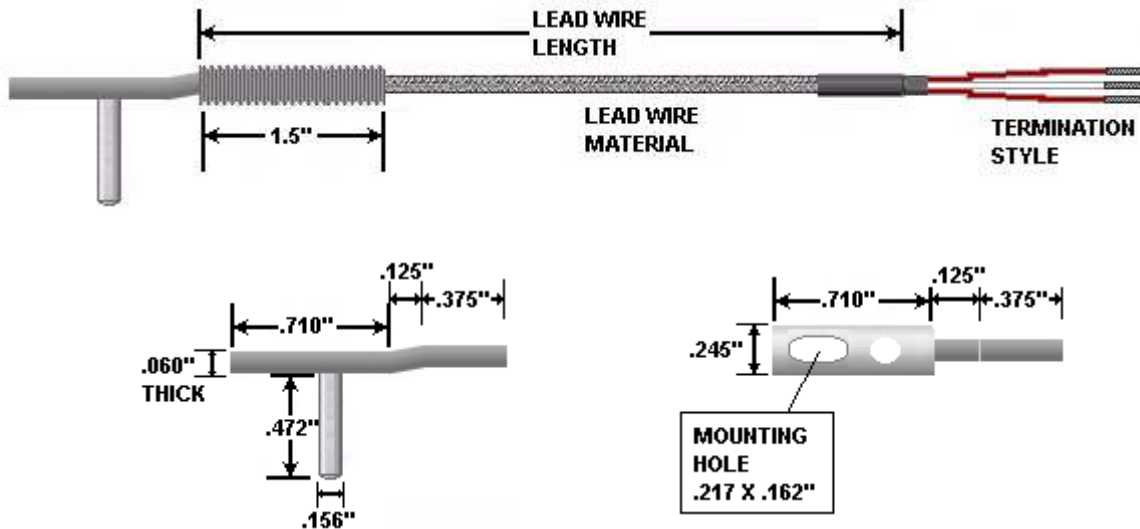


Style RD1

Mounting bracket RTD w/ 4mm probe



Ordering Information

① RD1	② Element type	③ Element Accuracy (0 °C)	④ Wire Configuration	⑤ Bracket	⑥ Lead wire material	⑦ Lead wire length	⑧ Termination style	⑨ Special features
RD1								

② Element type	
T	100 Ω DIN 00385 (thin film)
U	500 Ω DIN 00385 (thin film)
W	1000 Ω DIN 00385 (thin film)

③ Element Accuracy (0 °C)	
A	Class A (0.06%)
B	Class B (0.12%)

④ Wire Configuration	
2	2-wire
3	3-wire
4	4-wire
5	2-wire (Dual)
6	3-wire (Dual)

⑤ Bracket	
X	4mm diameter probe with mounting bracket
	See above for dimensions

⑥ Lead wire material	
A	Fiberglass (800°F)
B	Fluoropolymer (400°F)
C	Fiberglass with stainless steel braid (800°F)
D	Fluoropolymer with stainless steel braid (400°F)

⑦ Lead wire length	
006-600"	Specify in Inches
	Over 600" contact factory

⑧ Termination style	
A	2" stripped leads (bare ends) (standard)
B	2" stripped leads w/ #8 spade lugs
C	Standard male 2 pin plug (400°F)
D	Standard male 3 pin plug (400°F)
F	Standard 2 pin female jack (400°F)
G	Standard 3 pin female jack (400°F)
H	Miniature male 2 pin plug (400°F)
P	Miniature male 3 pin plug (400°F)
J	Miniature female 2 pin jack (400°F)
K	Miniature female 3 pin jack (400°F)
R	Dual molded male 4 pin plug (400°F)(for dual 2 wire)
T	Dual molded female 4 hole jack (400°F)(for dual 2 wire)
W	2" stripped leads w/ pin terminals
Q	2" stripped leads w/ wire ferrules
X	Extra long lead wire length (beyond 2" stripped leads) (specify extra long lead wire length below)
006"-240"	006"-240" Specify in Inches

⑨ Special features	
Note	Leave blank for no special features
02	1.5" long strain relief spring
03	1.5" long heat shrink where wire exits the probe
06	Epoxy seal (500°F)
07	Cable clamp
08	BX Connector
09	Mating connector

SOUTHWEST HEATER AND CONTROLS