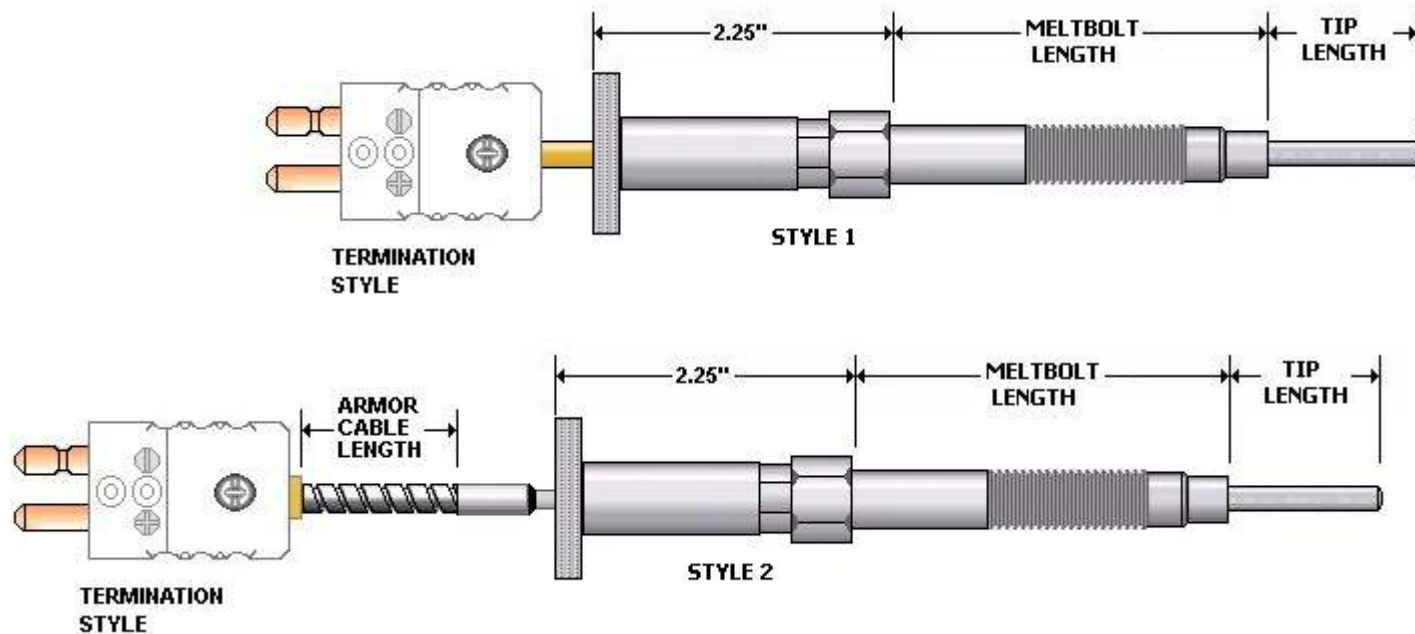


Style RJ2 Adjustable Melt Bolt RTD



Ordering Information Part Number

① RJ2	② Melt bolt style	③ Melt bolt length	④ Element Type	⑤ Element Accuracy	⑥ Wire Configuration	⑦ Sheath Diameter	⑧ Tip Length	⑨ Armor Cable Length (inches)	⑩ Termination Style	⑪ Special Features
RJ2										

②	Melt bolt style
C	Style 1
D	Style 2

③	Melt bolt length (inches)
03	3"
04	4"
06	6"
07	7"
09	9"
12	12"
14	14"

④	Element type
T	100 Ω DIN 00385 (thin film)
U	500 Ω DIN 00385 (thin film)
W	1000 Ω DIN 00385 (thin film)
X	120 Ω Nickel DIN 00672 (thin film)
Y	100 Ω DIN 003916 (wire wound)
Z	500 Ω DIN 003916 (wire wound)
Q	10 Ω copper (thin film)

⑤	Element Accuracy (0 °C)
A	Class A (0.06%)
B	Class B (0.12%)

⑥	Wire Configuration
2	2-wire
3	3-wire
4	4-wire
5	2-wire (Dual)

⑦	Tip Diameter
H	.125"OD
L	.188"OD
Z	.125" with .188"OD support tube

⑧	Tip Length (in.)
A	Adjusts from flush to 1"
D	Adjusts from flush to 2.5"
C	Adjusts from flush to 3"

⑨	Armor cable length (Inches)
X	No flex armor (Style 1)
F	4" (Standard) Meltbolt style 2 only
002"-600"	specify in Inches (melt bolt style 2 only)
Note	Over 600" contact factory

⑩	Termination style RTDs
A	2" stripped leads (bare ends)
B	2 "stripped leads w/ #8 spade lugs
C	Standard male 2 pin plug (400°F) (standard)
D	Standard male 3 pin plug (400°F)
F	Standard 2 pin female jack (400°F)
G	Standard 3 pin female jack (400°F)
H	Miniature male 2 pin plug (400°F)
P	Miniature male 3 pin plug (400°F)
J	Miniature female 2 pin jack (400°F)
K	Miniature female 3 pin jack (400°F)
R	Dual molded male 4 pin plug (400°F)(for dual 2 wire)
T	Dual molded female 4 hole jack (400°F)(for dual 2 wire)
W	2" stripped leads w/ pin terminals
Q	2" stripped leads w/ wire ferrules
X	Extra long lead wire length (beyond 2" stripped leads) (specify extra long lead wire length below)
X	006"-240" Specify in Inches

⑪	Special features (Optional)
Note	Leave blank for no special features
07	Cable clamp
09	Mating connector
18	Moisture protection boot on connector
26	Connector mounted with tube adapter



SOUTHWEST HEATER AND CONTROLS