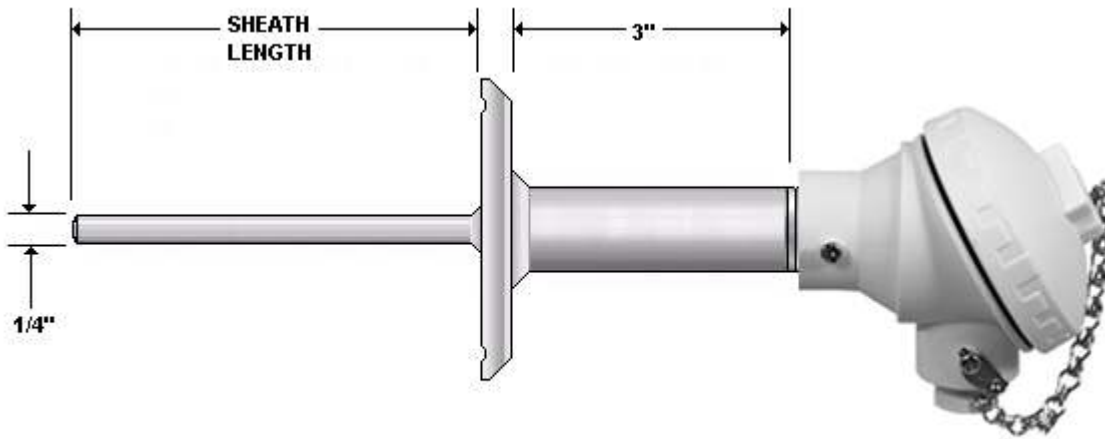


Series RN1 Sanitary CIP RTD Tri-Clamp (16amp) cap



Ordering Information Part Number

① RN1	② Element Type	③ Element Accuracy	④ Wire Configuration	⑤ Sheath Diameter	⑥ Sheath Length (whole In.)	⑦ Sheath Length (fractional In.)	⑧ Connection Head Style	⑨ Sanitary cap size	⑩ Special Features (Optional)	⑪ Transmitter temperature range	⑫ Scale of Temp.
RN1											

Optional

② Element type	
T	100 Ω DIN 00385 (thin film)
U	500 Ω DIN 00385 (thin film)
W	1000 Ω DIN 00385 (thin film)
X	120 Ω Nickel DIN 00672 (thin film)
Y	100 Ω DIN 003916 (wire wound)
Z	500 Ω DIN 003916 (wire wound)

③ Element Accuracy (0 °C)	
A	Class A (0.06%)
B	Class B (0.12%)

④ Wire Configuration	
2	2-wire
3	3-wire
4	4-wire
5	2-wire (Dual)
6	3-wire (Dual)

⑤ Sheath Diameter	
N	.250" (6.4mm) (1/4")
Note	For reference only (standard tolerances apply)
Note	For other diameters consult factory

⑥ Sheath Length (whole In.)	
001"-012"	Specify in Inches
Note	For longer lengths consult factory

⑦ Sheath Length (fractional in.)	
A	0
B	1/8"
C	1/4"
D	3/8"
E	1/2"
F	5/8"
G	3/4"
H	7/8"

⑧ Connection Head Style	
E	Stainless Steel
G	Polypropylene
H	Explosion proof cast aluminum
Q	Explosion proof 316 Stainless steel

⑨ Sanitary cap size (CIP sanitary)	
X01	1/2" (for 0.5" or 0.75" tube size)
X02	1.5" (for 1" or 1.5" tube size)
X03	2" (for 2" tube size)
X04	2.5" (for 2.5" tube size)
X05	3" (for 3" tube size)
X06	4" (for 4" tube size)

⑩ Special features (Optional)	
Note	Leave blank for no special features
17	4/20 Milliamp transmitter (hockey puck style)
22	HART-compatible 4/20 milliamp transmitter
Note	For color code chart see pg _____

⑪ Transmitter temperature range (Optional)	
0-0000	Specify temperature range (example: 0-1200°F)

⑫ Scale of temperature (Optional)	
F	(°F) Fahrenheit
C	(°C) Celsius



- For Low profile, basic programmable 4/20 MA transmitter see option "17" in special features



- For HART-compatible transmitter see option "22" in special features

SOUTHWEST HEATER AND CONTROLS